



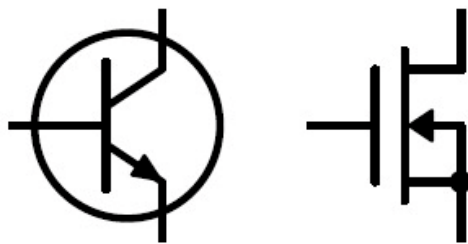
**GATE | PSUs**

# **ELECTRONICS & COMMUNICATION ENGINEERING**

---

## **Analog Circuits**

(Text Book : Theory with worked out Examples  
and Practice Questions)

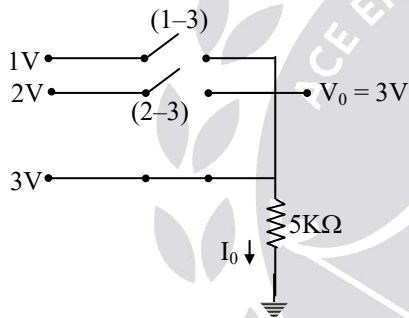
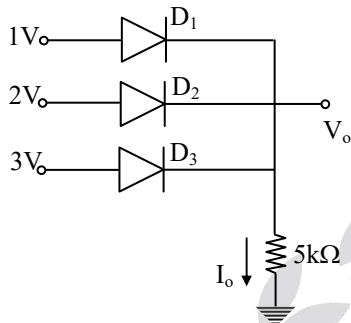


# Analog Circuits

(Solutions for Text Book Practice Questions)

01.

Sol:



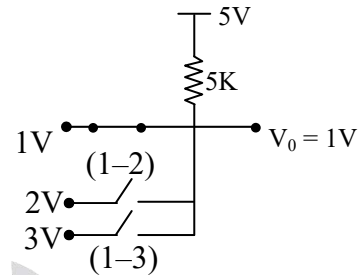
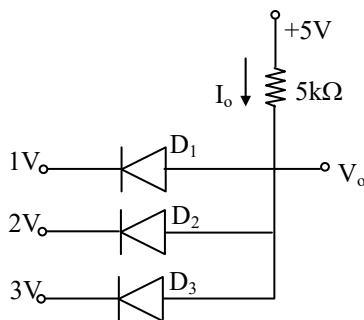
$\Rightarrow$   $D_1, D_2$  are reverse biased and  $D_3$  is forward biased.

i.e.,  $D_3$  only conducts.

$$\therefore I_o = 3/5K = 0.6\text{mA}$$

02.

Sol:



$\Rightarrow$   $D_2$  &  $D_3$  are reverse biased and ' $D_1$ ' is forward biased.

i.e.,  $D_1$  only conduct

$$\therefore I_o = \frac{5-1}{5K} = 0.8\text{mA}$$

03.

Sol: Let diodes  $D_1$  &  $D_2$  are forward biased.

$\Rightarrow V_o = 0$  volt

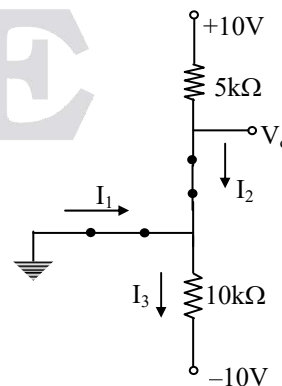
$$I_2 = \frac{10-0}{5K} = 2\text{mA}$$

$$I_3 = \frac{0-(-10)}{10K} = 1\text{mA}$$

Apply KVL at nodes ' $V_o$ ':

$$-I_1 + I_3 - I_2 = 0$$

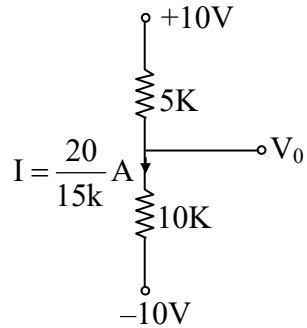
$$\Rightarrow I_1 = -(I_2 - I_3) = -1\text{mA}$$



So,  $D_1$  is reverse biased &  $D_2$  is forward biased

$\Rightarrow$  ' $D_1$ ' act as an open circuit &  $D_2$  is act as short circuit.

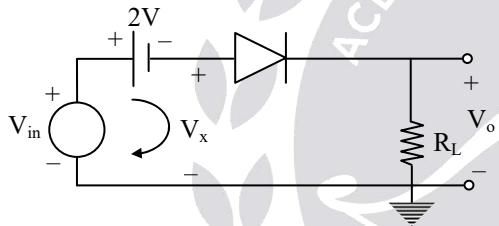
Then circuit becomes



$$\Rightarrow V_0 = 10k \times \left(\frac{20}{15k}\right) - 10$$

$$\therefore V_0 = 3.33V$$

**04. Sol:**



Apply KVL to the loop:

$$V_{in} - 2 - V_x = 0$$

$$\Rightarrow V_x = V_{in} - 2 \quad \text{--- (1)}$$

Given,  $V_{in}$  range =  $-5V$  to  $5V$

$$\Rightarrow V_x \text{ range} = -7V \text{ to } 3V \quad [\because \text{from eq (1)}]$$

Diode ON for  $V_x > 0V$

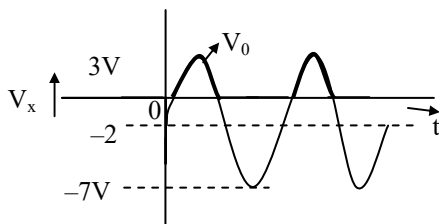
$$\Rightarrow V_0 = V_x$$

Diode OFF for  $V_x < 0V$

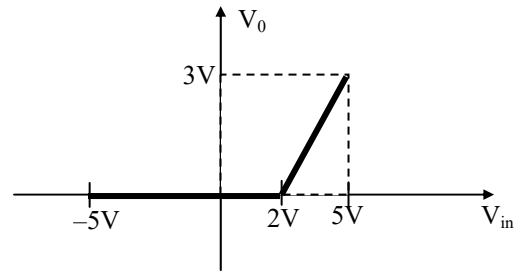
$$\Rightarrow V_0 = 0V$$

$$\therefore V_0 \text{ range} = 0 \text{ to } 3V$$

**Output wave form:**

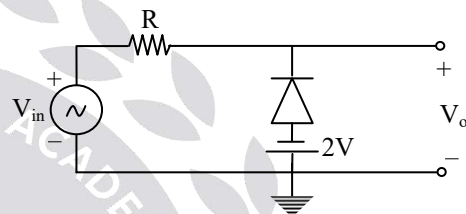


**Transfer characteristics:**



**05.**

**Sol:**

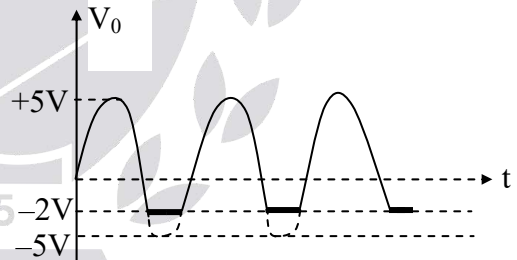


For  $V_i < -2V$  Volt, Diode ON

$$\Rightarrow V_0 = -2V$$

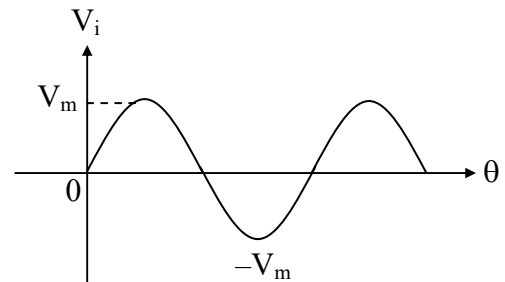
For  $V_i > -2V$  Volt, Diode OFF

$$\Rightarrow V_0 = V_i$$



**06. Ans: (a & c)**

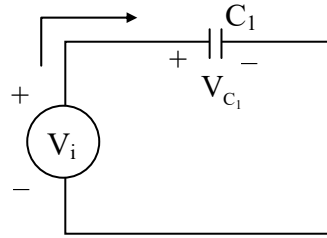
**Sol:** In positive half, of input  $\rightarrow$



Capacitor  $C_1$  is charging so,  $T_{Char} = R_{F1} C_1 = 0$

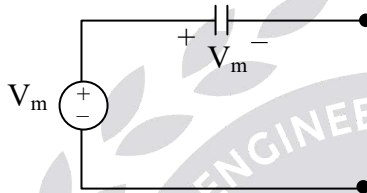
For  $\theta \rightarrow$  Range from  $0 \rightarrow \frac{\pi}{2}$ ,

$D_1 \rightarrow$  Short }  
 $D_2 \rightarrow$  Open }



Now at  $\theta = \frac{\pi}{2}$ ,  $V_{C_1} = V_m$

$D_1$  &  $D_2$  both are OFF



So,  $C_1$  has no discharging path  $\Rightarrow$  steady state,

So, at steady state  $V_{C_1} = +V_m = +5V$ .

Since in ANALOG circuit, for either clampers (or) for Ripple removal shunt capacitor filter,

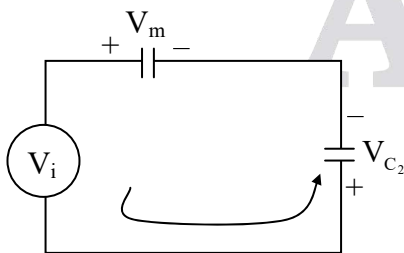
$T_{\text{discharge}} \gg T$ , where  $T \rightarrow$  Time period.

Now for  $\theta > \frac{\pi}{2}$ ,  $V_{C_1} = V_m > V_i$

$\Rightarrow$  Due to  $V_{C_1}$ ,  $D_1$  is OFF

$D_2$  is ON

Now circuit is  $\rightarrow$



Now,  $V_i = V_{C_1} - V_{C_2} \Rightarrow V_{C_2} = V_{C_1} - V_i$

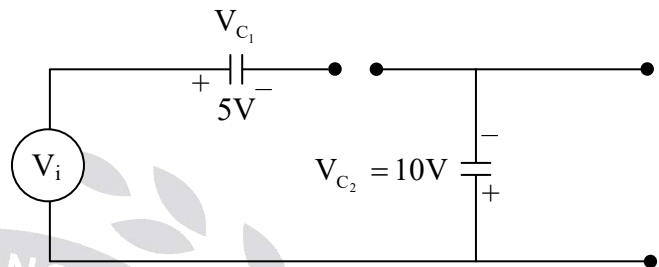
Now, at  $\theta = \frac{3\pi}{2}$ ,  $V_i = -V_m$

$\Rightarrow V_{C_2} = 2V_m = 10V$

Now, at  $\theta = \frac{3\pi}{2}$ ,  $V_{C_1} = 5V$  from the circuit such that,  $V_{C_2} = 10V$

Due to  $V_{C_2}$ ,  $D_2$  act as open circuit

So, at  $\theta = \frac{3\pi}{2}$ , the circuit looks like  $\rightarrow$



Now, as no discharge path for  $C_1$  &  $C_2$   
 $\Rightarrow$  Steady state

So, at steady state,  $V_{C_2} = 10V$ , but from circuit  $V_{C_2}$  polarity is opposite

$\Rightarrow V_{C_2} = -10V$

So, options (a) & (c) are correct.

**07.**

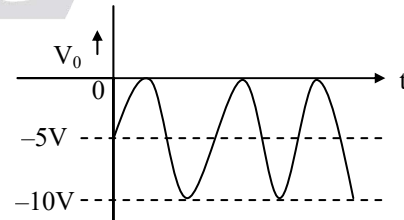
**Sol:** For positive half cycle diode Forward biased and Capacitor start charging towards peak value.

$\Rightarrow V_C = V_m = 5V$

$\Rightarrow V_0 = V_{in} - V_C = V_{in} - 5$

$V_{in}$  range =  $-5V$  to  $+5V$

$\therefore V_0$  range =  $-10V$  to  $0V$



**08.**

**Sol:** For +ve cycle, diode 'ON', then capacitor starts charging

$\Rightarrow V_C = V_m - 7 = 10 - 7 = 3V$

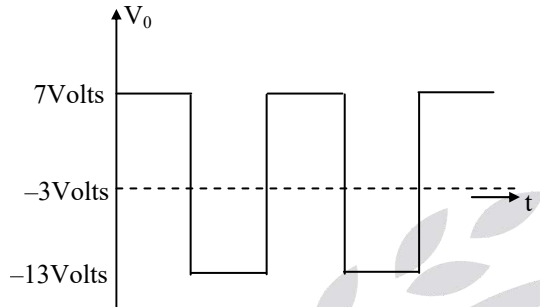
Now diode OFF for rest of cycle

$$\Rightarrow V_0 = -V_C + V_{in}$$

$$= V_{in} - 3$$

$V_{in}$  range :  $-10V$  to  $+10V$

$\therefore V_0$  range:  $-13V$  to  $7V$



**09.**

**Sol:** Always start the analysis of clamping circuit with that part of the cycle that will forward bias the diodes this diode is forward bias during negative cycle.

For negative cycle diode ON, then capacitor starts charging

$$\Rightarrow V_C = V_P + 9$$

$$= 12 + 9 = 21V$$

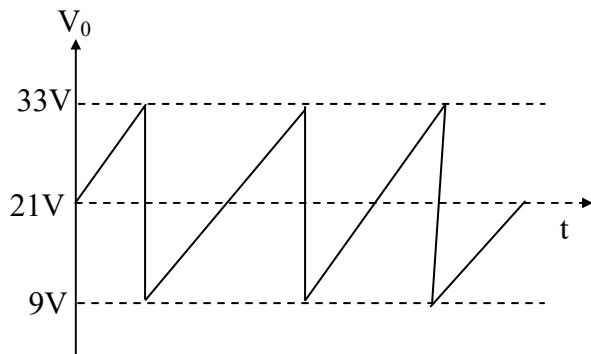
Now diode OFF for rest of cycle.

$$\Rightarrow V_0 = V_C + V_{in}$$

$$= 21 + V_{in}$$

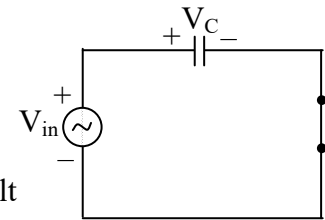
$V_{in}$  range:  $-12$  to  $+12V$

$V_0$  range:  $9V$  to  $33V$



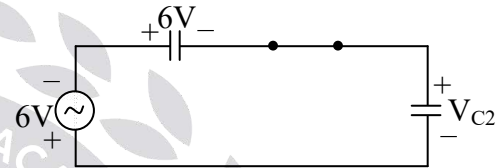
**10.**

**Sol:** During positive cycle,  
 $D_1$  forward biased &  $D_2$  Reverse biased.



$$V_{C1} = V_{in} = 6\text{volt}$$

During negative cycle,  
 $D_1$  reverse biased &  $D_2$  forward biased.

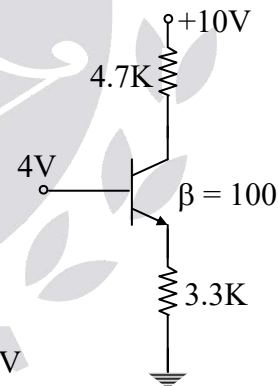


$$V_{C2} = -6 - 6 = -12V$$

Capacitor  $C_2$  will charge to negative voltage of magnitude  $12V$

**11.**

**Sol:**



Given,

$$V_B = 4V$$

$$V_{BE} = 0.7$$

$$V_B - V_E = 0.7$$

$$V_E = V_B - 0.7 = 3.3V$$

$$\Rightarrow I_E = \frac{3.3}{3.3K\Omega} = 1\text{mA}$$

Let transistor in active region

$$\Rightarrow I_C = \beta / (\beta + 1) \cdot I_E = 0.99\text{mA}$$

$$I_B = I_C / \beta = 9.9\mu\text{A}$$

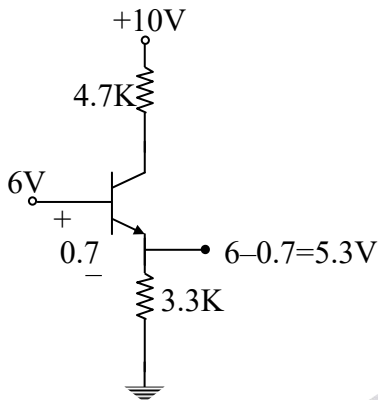
$$V_C = 10 - 4.7 \times 10^3 \times 0.99 \times 10^{-3} = 5.347V$$

$$\Rightarrow V_C > V_B$$

$\therefore$  Transistor in the active region.

12.

Sol:



$$V_E = V_B - V_{BE} = 6 - 0.7 = 5.3V$$

$$I_E = \frac{5.3}{3.3K} = 1.6mA$$

Let transistor is active region

$$\Rightarrow I_C = \frac{\beta}{(1+\beta)} I_E$$

$$I_C = 1.59mA$$

$$V_C = 2.55V$$

$$\Rightarrow V_C < V_B$$

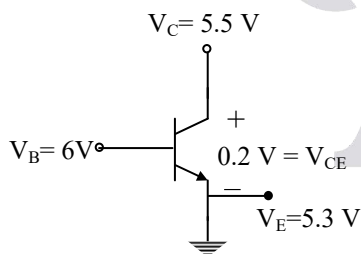
$\therefore$  Transistor in saturation region

$$\Rightarrow V_{CE(sat)} = 0.2V$$

$$V_C - V_E = 0.2$$

$$V_C = 5.3 + 0.2$$

$$\Rightarrow V_C = 5.5V$$



$$\Rightarrow I_C = \frac{10 - 5.5}{4.7K} = 0.957mA$$

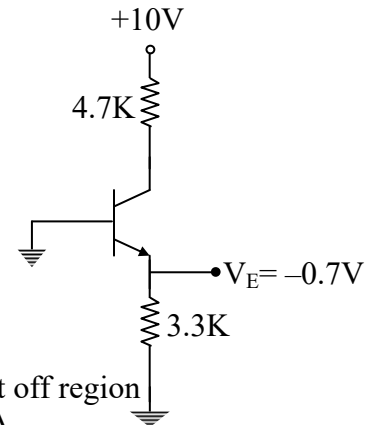
$$I_B = 1.6 - 0.957 = 0.643mA$$

$$\beta = \frac{I_C}{I_B} = \frac{0.957mA}{0.643mA} = 1.483$$

$$\beta_{forced} < \beta_{active}$$

13.

Sol:



$$V_E = -0.7V$$

Transistor in cut off region

$$I_C = I_B = I_E = 0A$$

$$V_{CE} = 10V$$

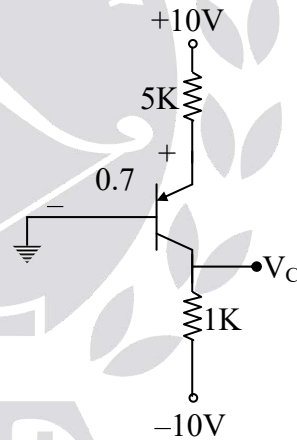
$$V_E = 0V$$

$$V_C = 10V$$

$$V_B = 0V$$

14.

Sol:



$$V_E = 0.7V [\because V_B = 0V]$$

$$\Rightarrow I_E = \frac{10 - 0.7}{5K} = 1.86mA$$

Let transistor in active region.

$$\Rightarrow I_C = \frac{\beta}{(\beta+1)} I_E = 1.84mA$$

$$\Rightarrow V_C = -10 + 1K \times 1.84m$$

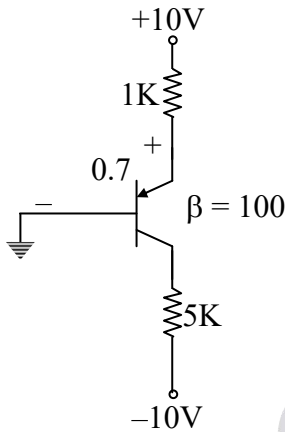
$$V_C = -8.16V$$

$$V_{EC} = V_E - V_C = 8.86V$$

$$V_{EC} > V_{EB}$$

$\therefore$  Transistor in active region

15.  
Sol:



Let transistor in active region

$$V_E = 0.7V \quad [ \because V_B = 0V ]$$

$$I_E = \frac{10 - 0.7}{1k} = 9.3mA$$

$$I_C = \frac{\beta}{\beta + 1} \cdot I_E = 9.2mA$$

$$\Rightarrow V_C = -10 + 5K \times 9.2m$$

$$V_C = 36V$$

$$V_{EC} < V_{EB}$$

Transistor in saturation region

$$\Rightarrow V_{EC} = 0.2$$

$$V_E - V_C = 0.2 \Rightarrow V_C = 0.5V$$

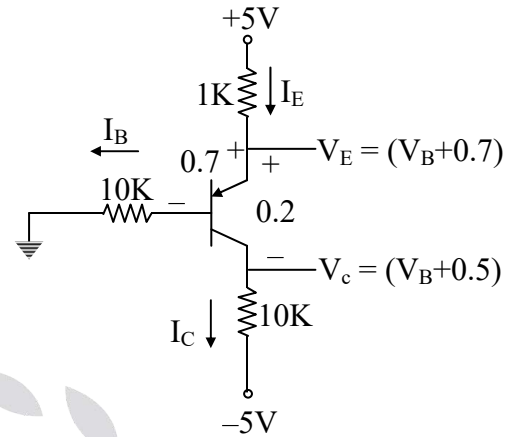
$$\Rightarrow I_C = \frac{0.5 + 10}{5K} = 2.1mA$$

$$I_B = I_E - I_C = 7.2mA$$

$$\beta_{\text{forced}} = \frac{I_{C(\text{sat})}}{I_B} = \frac{2.1}{7.2} = 0.29$$

$$\beta_{\text{forced}} < \beta_{\text{active}} \text{ i.e., saturation region}$$

16.  
Sol:



$$I_E = I_C + I_B$$

$$\Rightarrow \frac{5 - (V_B + 0.7)}{1k} = \frac{(V_B + 0.5) + 5}{10k} + \frac{V_B}{10k}$$

$$10(5 - V_B - 0.7) = V_B + 0.5 + 5 + V_B$$

$$43 - 10V_B = 2V_B + 5.5$$

$$V_B = \frac{43 - 5.5}{12} = 3.125V$$

$$I_B = \frac{3.125}{10K} = 0.3125mA$$

$$V_C = V_B + 0.5 = 3.625V$$

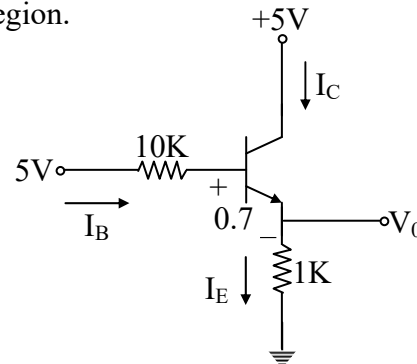
$$V_E = 3.825V$$

$$\therefore I_E = 1.175mA$$

$$\therefore I_C = 0.862mA$$

17.

Sol: Here the lower transistor (PNP) is in cut off region.



Apply KVL to the base emitter loop:

$$5 - 10K \cdot I_B - 0.7 - 1K \cdot (1+\beta)I_B = 0$$

$$\Rightarrow I_B = \frac{4.3}{(101)K + 10K}$$

$$= 38.73\mu A$$

$$I_C = 3.87mA$$

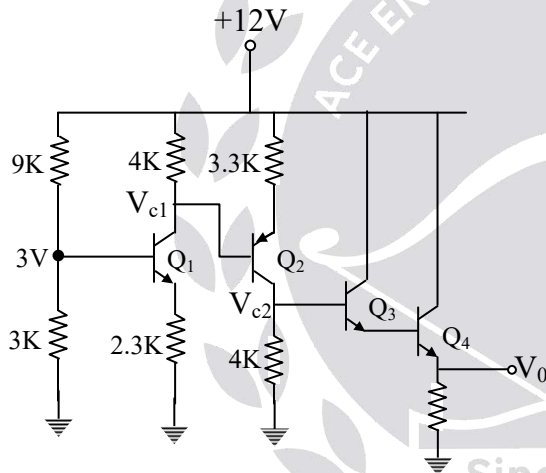
$$I_E = 3.91mA$$

$$\Rightarrow V_E = V_0 = I_E(1k) = 3.91 V$$

$$V_C = 5V$$

$$V_B = 5 - 10 k (I_B) = 4.61 V$$

**18.**  
**Sol:**



$$I_{C1} = I_{E1} = \frac{2.3V}{2.3k} = 1mA$$

$$V_{C1} = 12V - 4 \times 10^3 \times 1 \times 10^{-3} = 8V$$

$$V_{E2} = 8 + 0.7V = 8.7V$$

$$I_{E2} = \frac{12V - V_{E2}}{3.3k} = \frac{12V - 8.7}{3.3k} = 1mA$$

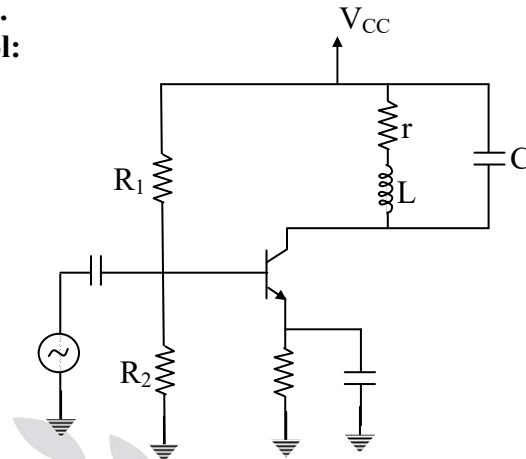
$$V_{C2} = 4k \times 1mA = 4V$$

$$V_{E3} = 4V - 0.7 = 3.3V$$

$$V_{E4} = 3.3 - 0.7 = 2.6V$$

$$V_0 = 2.6 V$$

**19.**  
**Sol:**



$$Z_{eq} = \frac{1}{sC + \frac{1}{r + sL}}$$

$$= \frac{r + sL}{srC + s^2LC + 1}$$

$$= \frac{r + j\omega L}{(1 - \omega^2LC) + j\omega rC}$$

$$Z_{eq} = \frac{(r + j\omega L)[1 - \omega^2LC - j\omega rC]}{(1 - \omega^2LC)^2 + (\omega rC)^2}$$

$$= \frac{\omega^2 rLC + r - \omega^2 rLC + j\omega L[1 - \omega^2LC] - j\omega r^2C}{(1 - \omega^2LC)^2 + (\omega rC)^2}$$

**Equate Imaginary terms:**

$$\omega L - \omega^3 L^2 C - \omega r^2 C = 0$$

$$L - \omega^2 L^2 C - r^2 C = 0$$

$$\omega^2 L^2 C = L - r^2 C$$

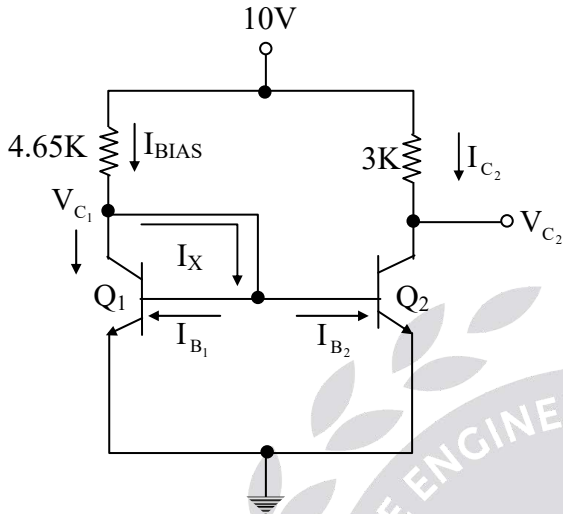
$$\omega = \sqrt{\frac{1}{LC} - \frac{r^2 C}{L^2 C}}$$

$$\omega = \sqrt{\frac{1}{LC} - \left(\frac{r}{L}\right)^2}$$



**20. Ans: (a & b)**

**Sol: Step-1:** KCL at collector node of  $Q_1$   
i.e., at  $C_1$



$$I = I_{C_1} + I_x = I_{C_2} + 2I_{B_2} \dots\dots(1)$$

$$= I_{C_2} + 2 \frac{I_{C_2}}{\beta} \dots\dots(2)$$

$$= I_{C_2} \left[ 1 + \frac{2}{100} \right] \dots\dots(3)$$

$$\Rightarrow I_{C_2} = I \left[ \frac{100}{102} \right] = 0.98I \dots\dots(4)$$

**Step-2:** KVL for C-E loop of  $Q_1$

$$I = \frac{10V - 0.7V}{4.65K\Omega} = 2mA \dots\dots(5)$$

$$\Rightarrow I_{C_2} = 1.96mA \dots\dots(6)$$

**Step-3:** KVL for loop of  $Q_2$

$$V_{C_2} = 10V - 3K\Omega(1.96mA) = 4.12V \dots\dots(7)$$

**Step-4:** KVL for C-loop of  $Q_1$

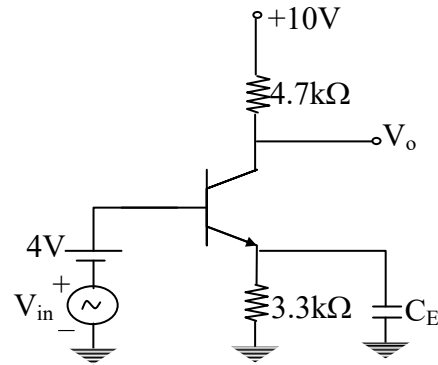
$$V_{C_1} = 10V - I_{BIAS} \times 4.65K \dots\dots(8)$$

$$= 10V - 2mA \times 4.65K\Omega \dots\dots(9)$$

$$\therefore V_{C_1} = 0.7V \dots\dots(10)$$

**21.**

**Sol:**



For D.C Analysis:

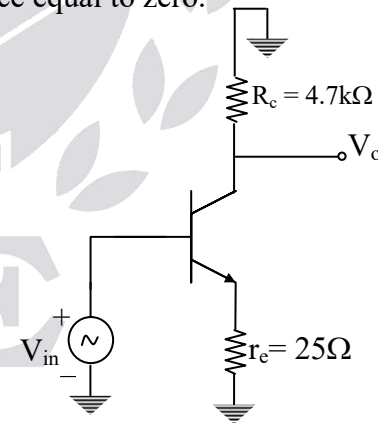
$$V_B = 4V$$

$$V_B - V_E = 0.7 \Rightarrow V_E = 4 - 0.7 = 3.3V$$

$$I_E = \frac{3.3}{3.3k} = 1mA$$

$$r_e = \frac{V_T}{I_E} = \frac{25mV}{1mA} = 25\Omega$$

To apply small signal analysis set D.C source equal to zero.



$$\Rightarrow V_0 = -i_c R_c$$

$$V_{in} = i_b r_\pi = i_b \beta r_e = i_c r_e$$

$$\therefore A_v = \frac{V_0}{V_i}$$

$$= \frac{-i_c R_c}{i_c r_e} = \frac{-R_c}{r_e} = \frac{-4.7k}{25}$$

$$= -188$$

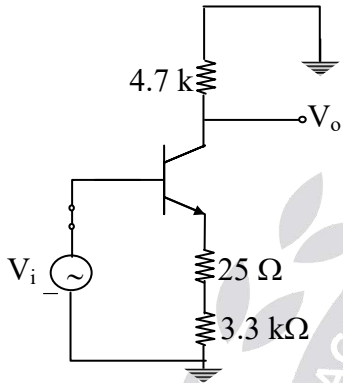
22.

**Sol:** D.C calculation is same as previous question

$$I_E = 1 \text{ mA}$$

$$r_e = 25 \Omega$$

Apply small signal analysis:



$$\frac{V_o}{V_i} = \frac{-R_c}{r_e + R_E} = \frac{-4700}{25 + 3300}$$

$$\therefore A_V = \frac{V_o}{V_i} = -1.413$$

23.

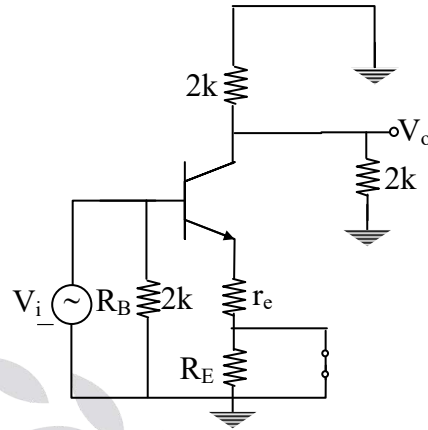
**Sol:** To calculate  $r_e$  value apply D.C analysis

$$I_E = \frac{V_{th} - V_{BE}}{R_E + \frac{R_{th}}{\beta + 1}}$$

$$= \frac{3 - 0.7}{2.3k + \frac{2k}{101}} = 0.991 \text{ mA}$$

$$r_e = \frac{V_T}{I_E} = \frac{25}{0.991} = 25.22 \Omega$$

Now apply small signal analysis:



$$A_V = \frac{V_o}{V_i} = \frac{-R_c}{r_e} = \frac{-(2k \parallel 2k)}{25.22} = -39.65$$

$$R_i = R_B \parallel \beta r_e$$

$$R_i = 1.116 \text{ k}\Omega$$

$$A_I = \frac{i_o}{i_i} = \frac{V_o}{R_L} \times \frac{R_i}{V_i} = A_V \times \frac{R_i}{R_L}$$

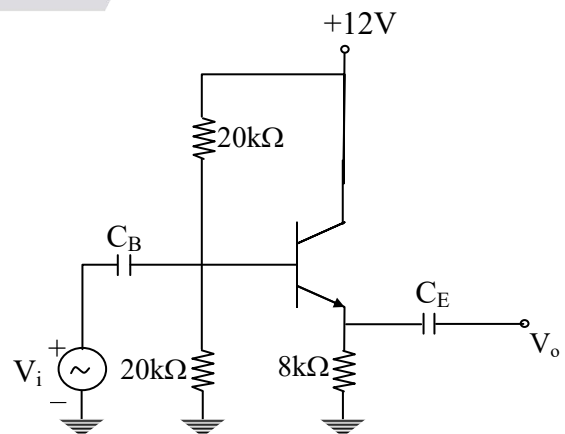
$$= \frac{-39.5 \times 1.116 \times 10^3}{2 \times 10^3}$$

$$= -22.322$$

$$R_o = R_C = 2 \text{ k}\Omega$$

24.

**Sol:**



Apply KVL at input Loop:

$$6 - 10k(I_B) - 0.7 - 8k(1+\beta)I_B = 0$$

$$I_B = \frac{6 - 0.7}{10k + 8k \times 101} = 6.47 \mu A$$

$$I_E = 0.65 \text{ mA}$$

$$r_e = \frac{V_T}{I_E} = \frac{25}{0.65} = 38.5 \Omega$$

Apply small signal analysis

$$A_v = \frac{V_o}{V_i} = \frac{R_E}{r_e + R_E} = 0.995$$

$$R_i = R_B \parallel \beta R_{E_{Total}}$$

$$R_{E_{Total}} = (R_E + r_e)$$

$$R_i = 10k \parallel 803.85k = 9.87k\Omega$$

$$R_o = R_E \parallel r_e = 38.3 \Omega$$

**25.**

**Sol:**  $V_o = -i_c R_C$

$$i_c \approx i_e = \frac{-V_i}{r_e}$$

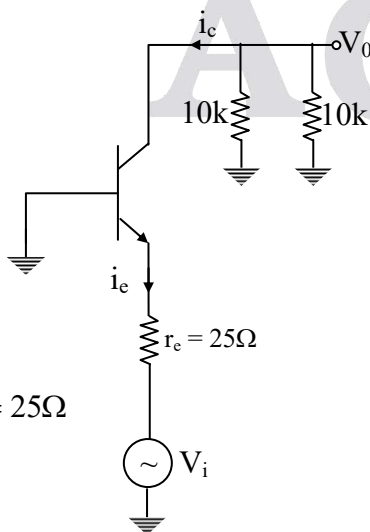
$$V_o = \left( \frac{V_i}{r_e} \right) R_C$$

$$\frac{V_o}{V_i} = \frac{R_C}{r_e}$$

Given  $I_E = 1 \text{ mA}$

$$\Rightarrow r_e = \frac{25 \text{ mV}}{1 \text{ mA}} = 25 \Omega$$

$$A_v = \frac{R_C}{r_e}$$



$$A_v = \frac{10k \parallel 10k}{25} = \frac{5000}{25} = 200$$

$$R_o = R_C = 10k\Omega$$

$$R_i = r_e = 25\Omega$$

$$A_i = \frac{i_o}{i_i} = \frac{v_o}{R_L} \times \frac{R_i}{v_i} = A_v \times \frac{R_i}{R_L} = \frac{200 \times 25}{10^4} = 0.5$$

**26.**

**Sol:** For the given differential amplifier,

$$I_E = 1 \text{ mA}$$

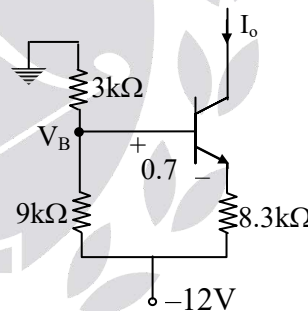
$$r_e = \frac{V_T}{I_E} = 25\Omega$$

$$A_d = \frac{V_o}{V_i} = \frac{-R_c}{r_e} = \frac{-3000}{25} \text{ (or) } -g_m R_c$$

$$A_d = -120$$

**27.**

**Sol:**



$$I_1 = \frac{0 - (-12)}{12k} = 1 \text{ mA}$$

$$I_1 = \frac{0 - V_B}{3K}$$

$$V_B = -3 \text{ V}$$

$$V_B - V_E = 0.7$$

$$V_E = V_B - 0.7$$

$$V_E = -3.7 \text{ Volt}$$

$$I_o = \frac{-3.7 + 12}{8.3k}$$

$$I_o = 1 \text{ mA}$$

$$I_E = 0.5 \text{ mA}$$

$$r_e = \frac{25\text{mV}}{0.5\text{mA}} = 50\Omega$$

$$A_d = \frac{-R_c}{r_e} = \frac{-2000}{50}$$

$$A_d = -40$$

28.

**Sol:** Voltage shunt feedback amplifier and

$$\frac{V_o}{V_{in}} = \frac{-R_f}{R_s} = \frac{-10\text{k}}{1\text{k}} \approx -10$$

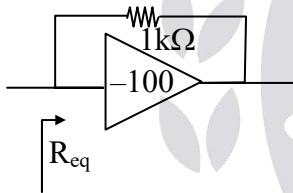
29.

**Sol:** Current - series feedback amplifier and

$$A_v \approx \frac{R_c}{R_E} = \frac{4.7\text{k}}{3.3\text{k}} = 1.4242$$

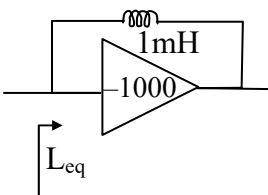
30.

**Sol:**



Using millers effect,

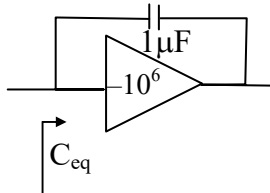
$$R_{eq} = \frac{1\text{k}}{1+100} = 9.9\Omega$$



$$L_{eq} = \frac{1\text{mH}}{1+1000} \approx 1\mu\text{H}$$

31.

**Sol:**



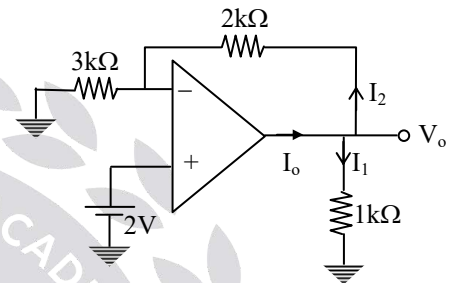
$$C_{eq} = 1\mu\text{F}(1+10^6) \approx 1\text{F}$$

32.

**Sol:**  $V_o = \left(1 + \frac{R_f}{R_1}\right) V_i$

$$V_o = \left(1 + \frac{2\text{k}}{3\text{k}}\right) 2$$

$$V_o = \frac{10}{3} \text{ volt} = 3.33 \text{ V}$$



$$I_1 = \frac{V_o}{1\text{k}} = \frac{10}{3} \text{ mA} \quad \&$$

$$I_2 = \frac{V_o - 2}{2\text{k}} = \frac{\frac{10}{3} - 2}{2\text{k}} = \frac{2}{3} \text{ mA}$$

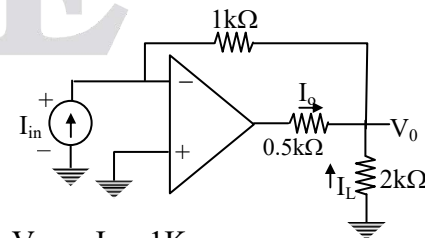
$$\therefore I_o = I_1 + I_2 = 4\text{mA}$$

33.

**Sol:**  $V_o = \frac{-R_2}{R_1} V_{in}$

34.

**Sol:**



$$V_o = -I_{in} \times 1\text{K}$$

$$I_L = \frac{I_i \times 1\text{K}}{2\text{K}} = \frac{I_{in}}{2}$$

$$I_o + I_{in} + I_L = 0$$

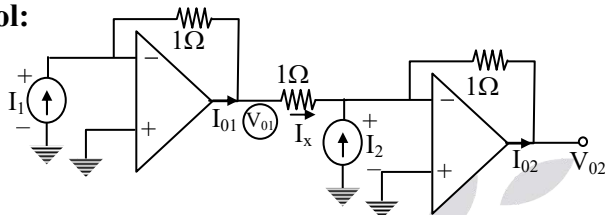
$$I_o + I_{in} + \frac{I_{in}}{2} = 0$$

$$2I_0 + 2I_{in} + I_{in} = 0$$

$$2I_0 = -3I_{in}$$

$$\frac{I_0}{I_{in}} = \frac{-3}{2} = -1.5$$

**35.**  
**Sol:**



$$V_{01} = -I_1$$

Apply KCL:

$$I_x + I_2 = \frac{0 - V_{02}}{1}$$

$$\frac{V_{01}}{1} + I_2 = -V_{02}$$

$$V_{01} + I_2 = -V_{02}$$

$$-I_1 + I_2 = -V_{02}$$

$$V_{02} = (I_1 - I_2) \text{ volt}$$

$$I_{01} + I_1 = I_x$$

$$I_{01} + I_1 = V_{01} \quad \left[ \because I_x = \frac{V_{01}}{1} \right]$$

$$I_{01} = V_{01} - I_1$$

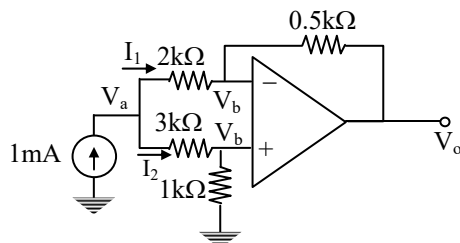
$$I_{01} = -2I_1 \quad \left[ \because V_{01} = -I_1 \right]$$

$$I_{02} = -(I_2 + I_x)$$

$$I_{02} = -(I_2 + V_{01})$$

$$I_{02} = (I_1 - I_2) \text{ A}$$

**36.**  
**Sol:**



Apply KCL at  $V_a$ :

$$1\text{m} = \frac{V_a - V_b}{2\text{k}} + \frac{V_a - V_b}{3\text{k}}$$

$$1\text{m} = \frac{3V_a - 3V_b + 2V_a - 2V_b}{6\text{k}}$$

$$6 = 5V_a - 5V_b$$

$$V_a - V_b = \frac{6}{5}$$

$$V_a - V_b = 1.2 \text{ Volt}$$

$$I_1 = \frac{V_a - V_b}{2\text{k}} = \frac{1.2}{2\text{k}} = 0.6\text{mA}$$

$$I_2 = \frac{1.2}{3\text{k}} = 0.4\text{mA}$$

$$V_b = 0.4\text{m} \times 1\text{k} = 0.4 \text{ Volt}$$

$$I_1 = \frac{V_b - V_0}{0.5\text{k}}$$

$$0.6\text{m} = \frac{0.4 - V_0}{0.5\text{k}}$$

$$0.3 = 0.4 - V_0$$

$$\therefore V_0 = 0.1 \text{ Volt}$$

**37.**

$$\text{Sol: } V_C = \frac{-I}{C} \cdot t = \frac{-10 \times 10^{-3}}{10^{-6}} \times 0.5 \times 10^{-3}$$

$$V_C = -5 \text{ Volt}$$

**38.**

**Sol:** Given open loop gain = 10

$$\frac{V_0}{V_i} = \frac{\left(1 + \frac{R_f}{R_1}\right)}{1 + \left(1 + \frac{R_f}{R_1}\right) \times \frac{1}{A_{OL}}}$$

$$\frac{V_0}{V_i} = \frac{(1+3)}{1 + \frac{4}{10}}$$

$$V_0 = V_i \times \frac{4}{1 + \frac{4}{10}}$$

$$V_0 = \frac{2 \times 4}{1 + \frac{4}{10}} = 5.715 \text{ Volt}$$

39.

**Sol:** 
$$\frac{V_0}{V_i} = \frac{-R_f/R_1}{1 + \frac{R_f/R_1}{A_{OL}}}$$

$$\frac{V_0}{V_i} = \frac{-9}{1 + \frac{10}{10}}$$

$$\frac{V_0}{V_i} = \frac{-9}{2}$$

$$V_0 = -4.5V$$

40.

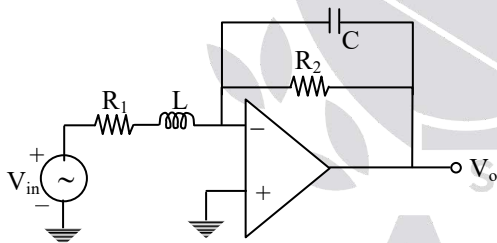
**Sol:**  $SR = 2\pi f_{max} V_{0max}$

$$V_{0max} = \frac{SR}{2\pi f_{max}} = \frac{10^6}{2\pi \times 20 \times 10^3} = 7.95Volt$$

$$V_0 = A \times V_i \Rightarrow V_i = \frac{V_0}{A} = 79.5mV$$

41.

**Sol:**



$$z_2 = R_2 \parallel \frac{1}{sC} = \frac{R_2}{sCR_2 + 1}$$

$$z_1 = R_1 + sL$$

$$\left| \frac{V_0}{V_i} \right| = \frac{R_2}{R_1 + sL}$$

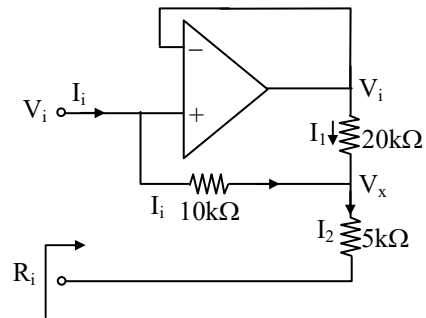
$$\left| \frac{V_0}{V_i} \right| = \frac{R_2}{(sCR_2 + 1)(R_1 + sL)}$$

It represent low pass filter with

$$D.C \text{ gain} = \frac{R_2}{R_1}$$

42.

**Sol:** (i)



Apply KCL at Vx:

$$\frac{V_x}{5k} = I_i + I_1$$

$$\frac{V_x}{5k} = \frac{V_i - V_x}{10k} + \frac{V_i - V_x}{20k}$$

$$\frac{V_x}{5} = \frac{3V_i - 3V_x}{20}$$

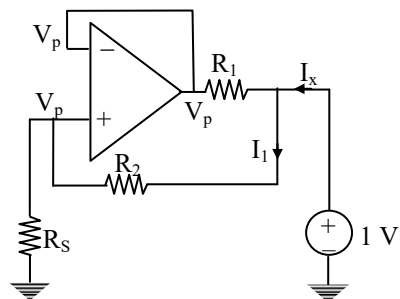
$$V_x = \frac{3}{7} V_i$$

$$I_i = \frac{V_i - V_x}{10k}$$

$$I_i = \frac{V_i - \frac{3}{7} V_i}{10k}$$

$$R_i = \frac{V_i}{I_i} = 17.5k\Omega$$

(ii)



$$R_0 = \frac{1}{I_x}$$

$$V_p = \frac{R_s}{R_2 + R_s}$$

$$I_x = \frac{1 - V_p}{R_2} + \frac{1 - V_p}{R_1}$$

$$I_x = (1 - V_p) \left( \frac{1}{R_2} + \frac{1}{R_1} \right)$$

$$I_x = \left( 1 - \frac{R_s}{R_2 + R_s} \right) \left( \frac{R_1 + R_2}{R_1 R_2} \right)$$

$$I_x = \frac{R_2}{R_2 + R_s} \left( \frac{R_1 + R_2}{R_1 R_2} \right)$$

$$\therefore R_0 = \frac{1}{I_x} = \left( \frac{R_s + R_2}{R_1 + R_2} \right) R_1$$

**43.**

**Sol:**  $V_E = V_{in}$

$$V_{CE} = V_C - V_E$$

$$V_{CE} = 15 - V_{in}$$

given  $V_{in}$  0 to 5 Volt

$\Rightarrow$  Transistor is in active region

$$I_E = I_0 = \frac{V_{in} + 15}{10} = \frac{17}{10} = 1.7 \text{ A} \quad [ \because V_{in} = 2 \text{ V} ]$$

$$I_B = \frac{I_0}{1 + \beta} = \frac{1.7}{100} \text{ A}$$

$$V_B = V_{in} + 0.7 = 2.7 \text{ V}$$

$$I_B = \frac{V_{op} - V_B}{100}$$

$$\frac{V_{op} - 2.7}{100} = \frac{1.7}{100}$$

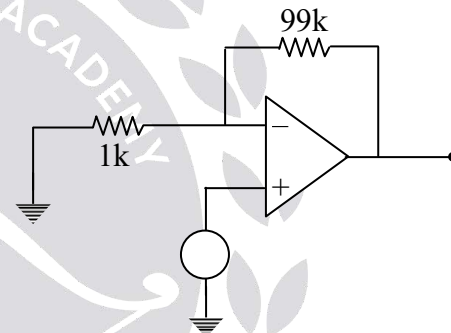
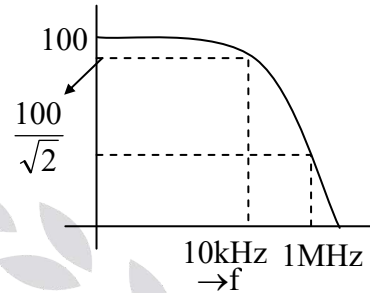
$$V_{op} = 4.4 \text{ Volt}$$

**44.**

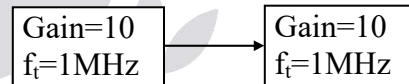
**Sol:** Single stage:

$$\text{Gain} = 40\text{dB} = 100, f_T = 1\text{MHz} = \text{Gain BW}$$

$$\text{BW} \rightarrow f_{3\text{dB}} = \frac{f_T}{\text{Gain}} = \frac{10^6}{100} = 10\text{kHz}$$

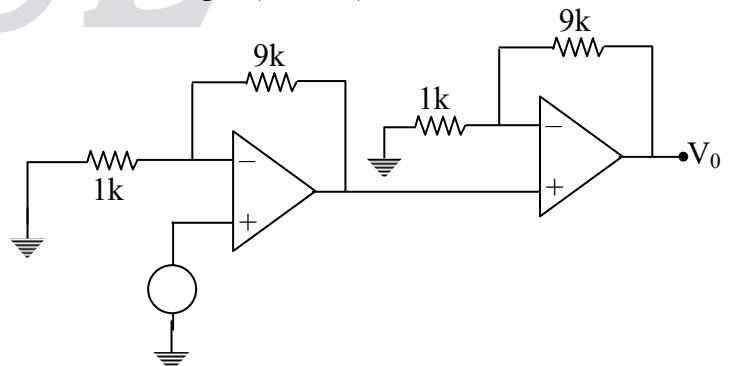


Two stages:



$$f_{3\text{dB}} = \frac{1\text{M}}{10} = 100\text{kHz}, f_{3\text{dB}} = 100\text{kHz} \text{ (for single stage)}$$

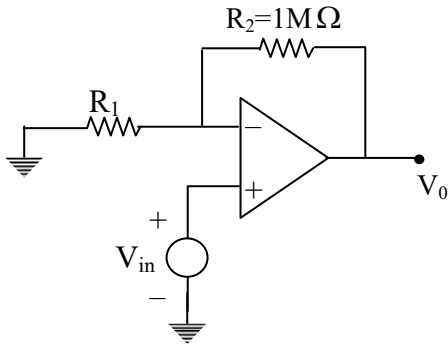
Two stages (Overall):



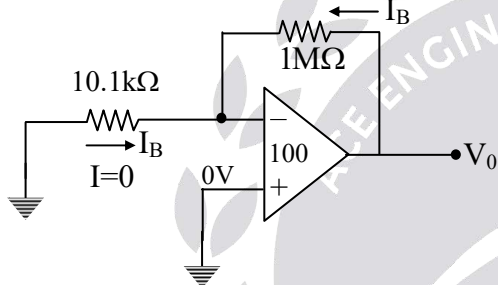
$$\text{Overall BW} = f_{3\text{dB}} \sqrt{2^{1/2} - 1} = 100\text{k} (0.65) = 65 \text{ kHz}$$

45.

Sol: (a)



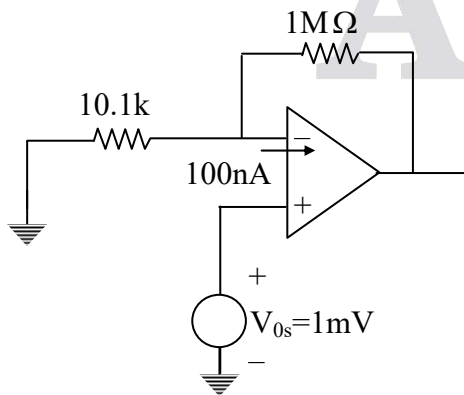
$$\text{Gain} = \frac{V_0}{V_{in}} = 1 + \frac{1M}{R_1} = 100 \Rightarrow R_1 = 10.1k\Omega$$



$$\begin{aligned} V_0 &= I_B(1M) \\ &= 100nA(1M) \\ &= 0.1V \end{aligned}$$

(b)

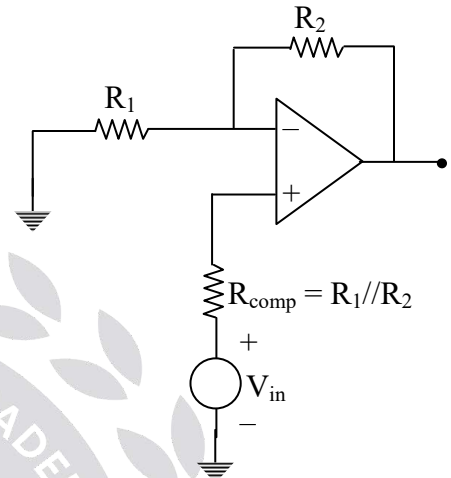
- op-amp draws current
- op-amp CKT the curve doesn't pass through '0' (transfer characteristics)



$$V_0 = |V_{0_{\text{Bios current}}}| + |V_{0_{\text{Offset Voltage}}}|$$

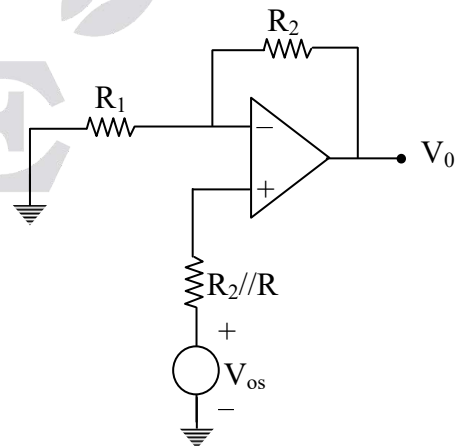
$$\begin{aligned} &= 1M(I_B) + \left(1 + \frac{R_2}{R_1}\right)V_{os} \\ &= 1M(100nA) + 100(1mV) \\ &= 0.2V \end{aligned}$$

(c)



$$\begin{aligned} \rightarrow R_{\text{comp}} &= R_1/R_2, \text{ then } V_0 = (I_{B1} - I_{B2}) R_2 \\ &= I_{os} R_2 \\ V_0 &= (I_{B1} - I_{B2}) R_2 \\ &= I_{os} R_2 \\ &= 1/10 (I_B R_2) \\ &= \frac{1}{10} 100nA(1M) \\ &= 0.01V = 10mV \end{aligned}$$

(d)



$$\begin{aligned} V_0 &= |V_{0_{\text{Offset Voltage}}}| + |V_{0_{\text{Bios current}}}| \\ &= 0.1 + 0.01 \\ &= 0.11 = 110mV \end{aligned}$$



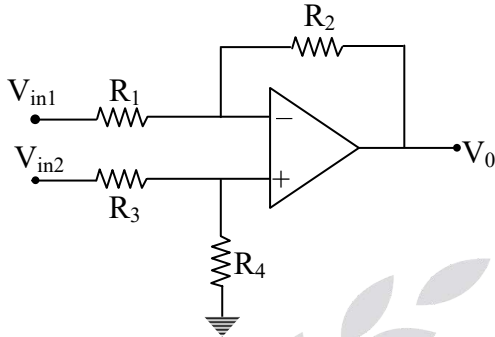
46.

Sol:

Given

$$R_1 = R_3 = 10k\Omega$$

$$R_2 = R_4 = 1M\Omega$$



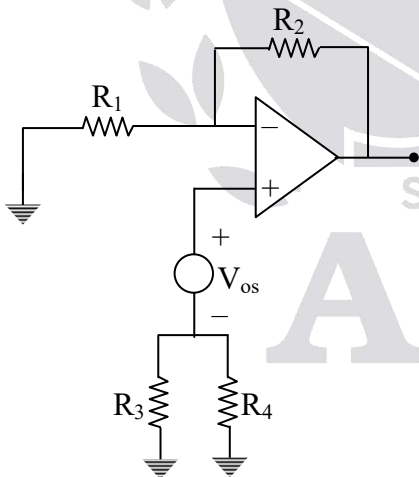
$$V_0 = \frac{R_2}{R_1} (V_{in2} - V_{in1})$$

$$= \frac{1M}{10k} (V_{in2} - V_{in1})$$

Given  $V_{os} = 4mV$

$I_B = 0.3 \mu A$

$I_{os} = 50 nA$



$$V_0 = \left[ 1 + \frac{R_2}{R_1} \right] V_{os} + I_{os} R_2$$

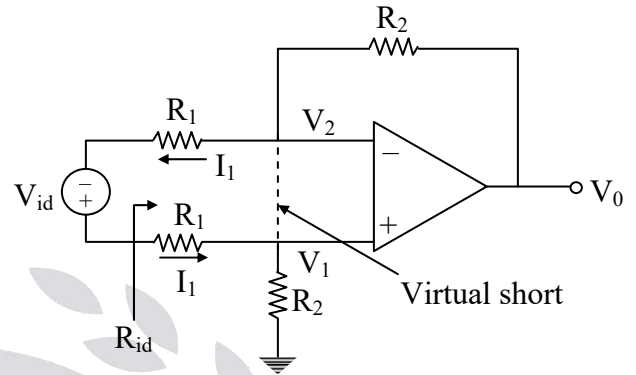
$$= \left[ 1 + \frac{1M}{10k} \right] 4mV + 50nA [1M]$$

$$= 454mV$$

47. Ans: (b & d)

Sol: Step-1: Differential input resistance,

$$R_{id} = \frac{V_{id}}{I_1} \dots\dots(1)$$



Consider virtual short circuit between  $V_1$  &  $V_2$  and writing a loop equation,

$$V_{id} = R_1 I_1 + 0 + R_1 I_1 \dots\dots(2)$$

$$= 2R_1 I_1 \dots\dots(3)$$

$$\therefore \frac{V_{id}}{I_1} = R_{id} = 2R_1 \dots\dots(4)$$

But  $R_{id} = 20K = 2 R_1 \dots\dots(5)$  [Given]

$$\Rightarrow R_1 = 10K \dots\dots(6)$$

Step-2:  $\therefore$  The given circuit is a differential amplifier,

$$V_0 = \frac{R_2}{R_1} (V_A - V_B) \dots\dots(7)$$

$$\Rightarrow A_d = \frac{V_0}{V_A - V_B} = \frac{R_2}{R_1} = 100 \dots\dots(8)$$

[Given]

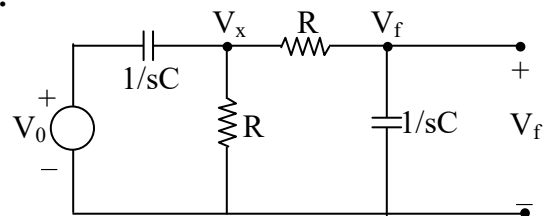
$$\Rightarrow R_2 = 100 R_1 \dots\dots(9)$$

$$= 100 \times 10K \dots\dots(10)$$

$$\therefore R_2 = 1000K = 1M\Omega \dots\dots(11)$$

48.

Sol:



KCL

$$\frac{V_x - V_0}{(1/SC)} + \frac{V_x}{R} + \frac{V_x - V_f}{R} = 0 \text{ -----(1)}$$

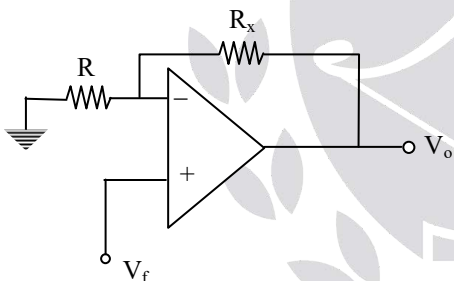
$$\frac{V_f - V_x}{R} + \frac{V_f}{(1/SC)} = 0 \text{ -----(2)}$$

From (1) and (2) eliminate  $V_x$

$$\beta = \frac{V_f}{V_0} = \frac{SCR}{[S^2C^2R^2 + 3SCR + 1]}$$

$$\beta = \frac{1}{[3 + SCR + \frac{1}{SCR}]}$$

$$\beta = \frac{1}{3 + j\left(\omega RC - \frac{1}{\omega RC}\right)} \quad (S = j\omega)$$



$$A = \frac{V_0}{V_f} = 1 + \frac{R_x}{R}$$

Loop gain = 1  $\rightarrow A = 1/\beta$

$$A\beta = 1$$

$$1 + \frac{R_x}{R} = 3 + j\left(\omega RC - \frac{1}{\omega RC}\right)$$

Equate imaginary parts

$$0 = \omega RC - \frac{1}{\omega RC}$$

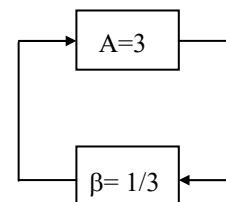
$$\omega^2 = \frac{1}{R^2C^2}$$

$$f = \frac{1}{2\pi RC} \text{ frequency of oscillation}$$

Equate

$$1 + \frac{R_x}{R} = 3$$

$$R_x = 2R$$



49.

**Sol:**  $\omega_0 = \frac{1}{\sqrt{LC}}$

$$\frac{V_f}{V_0} = \beta = \frac{0.5k}{R_x + 0.5}$$

$$A = 1 + \frac{9k}{1k} = 10$$

$A\beta = 1$  for sustained oscillations

$$\frac{0.5k}{R_x + 0.5k} \times 10 = 1$$

$$\therefore R_x = 4.5 \text{ k}\Omega$$

50.

**Sol:** Given  $\beta = \frac{1}{6}$

$$A = 1 + \frac{R_2}{R_1}$$

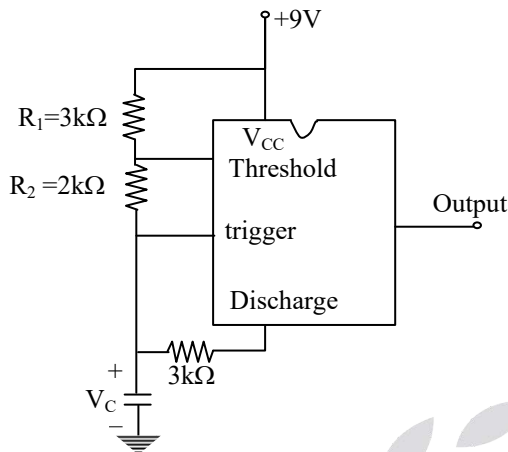
$A\beta = 1$  for sustained oscillations

$$\left(1 + \frac{R_2}{R_1}\right) \cdot \frac{1}{6} = 1$$

$$\frac{R_2}{R_1} = 5$$

$$R_2 = 5 R_1$$

51.  
Sol:



$$V_{th} = \frac{2}{3} V_{CC} = \frac{2}{3} \times 9 = 6 \text{ V}$$

$$V_{th} - V_C = 2 \times 10^3 \times I \quad \left( I = \frac{9-6}{3k} \right)$$

$$V_{th} - V_C = 2 \text{ V}$$

$$V_C = V_{th} - 2 = 4 \text{ V}$$

$$V_{trigger} = \frac{1}{3} V_{CC} = 3 \text{ V}$$

$$V_C = 3 \text{ V to } 4 \text{ V}$$

52. Ans: (a & d)

Sol: Case-(i): Consider

$f_s$  = Series resonant frequency

$$= \frac{1}{2\pi\sqrt{L_s C_s}} \dots\dots(1)$$

$f_p$  = Parallel resonant frequency

$$= \frac{1}{2\pi\sqrt{L_s C_{eq}}} \dots\dots(2)$$

$$\Rightarrow \frac{Eq(2)}{Eq(1)} = \frac{f_p}{f_s} = \frac{1.0025}{1} = \frac{\frac{1}{2\pi\sqrt{L_s C_{eq}}}}{\frac{1}{2\pi\sqrt{L_s C_s}}} \dots\dots(3)$$

$$\Rightarrow (1.0025)^2 = \frac{L_s C_s}{L_s C_{eq}} \dots\dots(4)$$

$$= \frac{C_s}{\left[ \frac{C_s C_p}{C_s + C_p} \right]} \dots\dots(5)$$

$$\Rightarrow \frac{C_p}{C_s + C_p} = \frac{1}{1.005} = 0.995 \dots\dots(6)$$

$$\Rightarrow C_s + C_p = \frac{C_p}{0.995} = \frac{5PF}{0.995} = 5.025pF \dots\dots(7)$$

$$\therefore C_s = 5.025pF - 5pF = 0.25pF \dots\dots(8)$$

Case-(ii): Consider  $f_s = \frac{1}{2\pi\sqrt{L_s C_s}} \dots\dots(9)$

$$\Rightarrow \sqrt{L_s C_s} = \frac{1}{2\pi f_s} = \frac{1}{2\pi \times 1MHz} \dots\dots(10)$$

$$\Rightarrow L_s C_s = \left( \frac{1}{2\pi \times 1MHz} \right)^2$$

$$\Rightarrow L_s = \frac{1}{C_s} \times \frac{1}{(2\pi \times 1MHz)^2} \dots\dots(12)$$

$$= \frac{1}{0.25pF} \times \frac{1}{4\pi^2 \times 1 \times 10^{12} \text{ Hz}} \dots\dots(13)$$

$$= \frac{1}{0.25 \times 10^{-12} \text{ F} \times 4\pi^2 \times 10^{12} \text{ Hz}} \dots\dots(14)$$

$$\therefore L_s = 0.10142399H \dots\dots(15)$$

Case-(iii): Quality factor,

$$Q_s = \frac{\omega_s L_s}{R_s} \dots\dots(16)$$

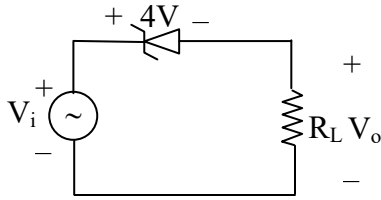
$$= \frac{2\pi f_s L_s}{R_s} \dots\dots(17)$$

$$= \frac{2\pi \times 1MHz \times 0.10142399H}{20\Omega} \dots\dots(18)$$

$$= 0.111464965 \times 10^6 \dots\dots(19)$$

$$\therefore Q_s = 111464.965 = 1,11,465 \dots\dots(20)$$

53.  
Sol:



$$V_i = 8 \sin t \text{ V}$$

During -Ve cycle, Zener is Forward biased and act as short circuit.

$$\Rightarrow V_0 = V_i$$

During + Ve cycle,

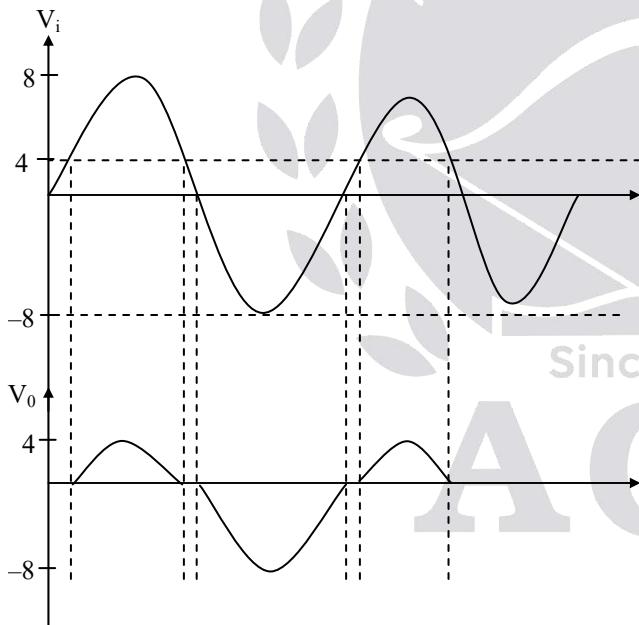
For  $0 < V_i < 4$ , Zener OFF Since

Zener is not in break down

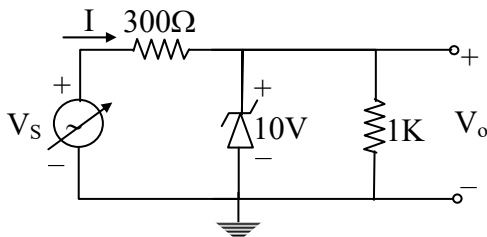
$$\Rightarrow V_0 = 0$$

For  $V_i > 4$ , Zener is in break down.

$$\Rightarrow V_0 = V_i - 4$$



54.  
Sol:



$$I_z = 1\text{mA to } 60\text{mA}$$

$$I = \frac{V_s - V_z}{300}$$

$$I_{\min} = \frac{V_{s\min} - 10}{300} \text{ _____ (I)}$$

$$I_{\max} = \frac{V_{s\max} - 10}{300} \text{ _____ (II)}$$

$$I_{\min} = I_{z\min} + I_L \left[ \because I_L + \frac{V_z}{1k} = 10\text{mA} \right]$$

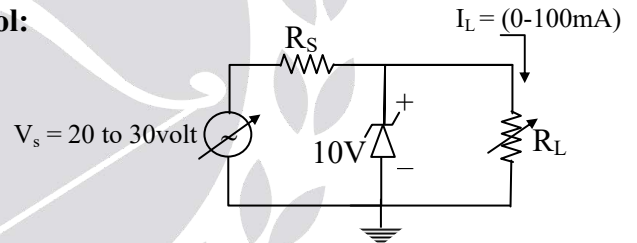
$$I_{\min} = 1\text{mA} + 10\text{mA} = 11\text{mA}$$

$$I_{\max} = 60\text{mA} + 10\text{mA} = 70\text{mA}$$

From equation (1) and (2) required range of  $V_s$  is 13.3 to 31 volt.

55.

Sol:



The current in the diode is minimum when the load current is maximum and  $v_s$  is minimum.

$$R_s = \frac{V_{s\min} - V_z}{I_{z\min} + I_{L\max}}$$

$$R_s = \frac{20 - 10}{(10 + 100)\text{mA}}$$

$$R_s = 90.9\Omega$$

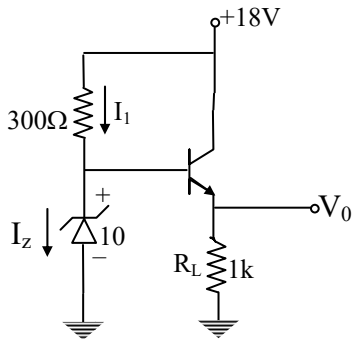
$$I_{z\max} = \frac{30 - 10}{90.9} = 0.22\text{A} \left[ \because I_{L\min} = 0\text{A} \right]$$

$$P_z = V_z I_{z\max}$$

$$P_z = 10 \times 0.22$$

$$P_z = 2.2\text{W}$$

**56.**  
**Sol:**



$$V_B = 10\text{volt}$$

$$V_E = 10 - 0.7 = 9.3\text{volt}$$

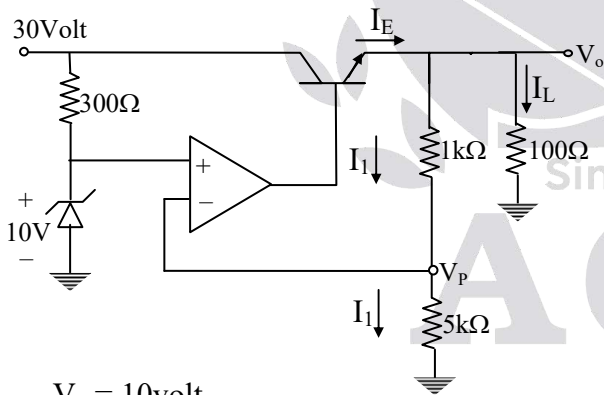
$$I_E = 9.3\text{mA}$$

$$I_B = \frac{I_E}{1 + \beta} = \frac{9.3\text{mA}}{101} = 92.07\mu\text{A}$$

$$I_1 = \frac{18 - 10}{300} = 26.67\text{mA}$$

$$I_Z = I_1 - I_B = 26.57\text{mA}$$

**57.**  
**Sol:**



$$V_p = 10\text{volt}$$

$$I_1 = \frac{10}{5k} = 2\text{mA}$$

$$\Rightarrow V_0 = (6k) I_1 = 12\text{V} = V_E$$

$$V_C = 30\text{volt}$$

$$\Rightarrow V_{CE} = V_C - V_E = 18\text{ volt.}$$

$$I_E = I_1 + I_L$$

$$I_E = 2\text{m} + \frac{12}{100} = 122\text{mA}$$

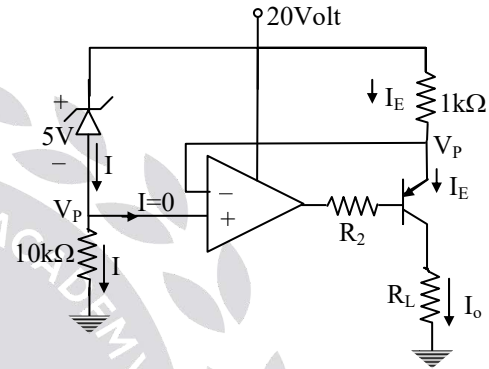
$$\Rightarrow I_C = \frac{\beta}{1 + \beta} I_E$$

$$\Rightarrow I_C = 0.120\text{Amp}$$

$$\Rightarrow P_T = I_C \times V_{CE}$$

$$\therefore P_T = 2.17\text{W}$$

**58.**  
**Sol:**



$$I = \frac{20 - 5}{10k} = \frac{15}{10} \text{ mA}$$

$$V_p = 10k \times I = 15\text{volt}$$

$$I_C = \frac{20 - V_p}{1k} = \frac{20 - 15}{1k} = 5\text{mA}$$

$$\beta \text{ large} \Rightarrow I_B \approx 0\text{A}$$

$$\therefore I_C = I_0 = 5\text{mA}$$

**59. Ans: (a, b & d)**

**Sol: Step-1: KCL at node (A)**

$$I_S = I_Z + I_L \dots\dots(1)$$

$$\Rightarrow I_Z = I_S - I_L \dots\dots(2)$$

$$\Rightarrow I_{Z_{\min}} = I_S - I_{L_{\max}} \dots\dots(3)$$

$$\because \text{Zener diode is ideal, } I_{Z_{\min}} = 0 \dots\dots(4)$$

$$\therefore I_S = I_{L_{\max}} = 200\text{mA} \dots\dots(5)$$

**Step-2: KVL for input loop**

$$R_S = \frac{16\text{V} - 12\text{V}}{200\text{mA}} = 20\Omega \dots\dots(6)$$

**Step-3:** From equation (2),

$$I_{Z_{max}} = I_S - I_{L_{min}} = 200\text{mA} \dots\dots(7)$$

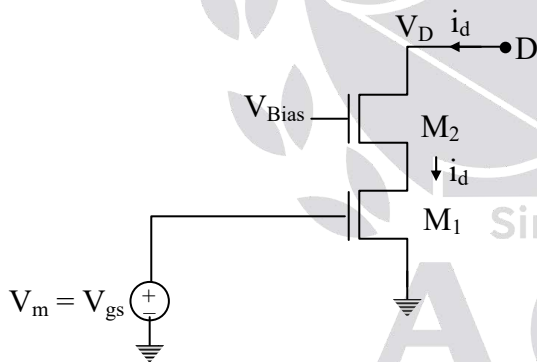
$$\Rightarrow P_{Z_{max}} = V_Z I_{Z_{max}} = 12 \times 200\text{mA}$$

$$= 2.4 \text{ Watts}$$

∴ For satisfactory voltage regulation in the circuit, the power rating of zener diode should be more than 2.4 Watts.

**60. Ans: (c)**

**Sol:** The circuit given is the MOS cascode amplifier, Transistor  $M_1$  is connected in common source configuration and provides its output to the input terminals (i.e., source) of transistor  $M_2$ . Transistor  $M_2$  has a constant dc voltage,  $V_{bias}$  applied at its gate. Thus the signal voltage at the gate of  $M_2$  is zero and  $M_2$  is operating as a CG amplifier. Which is current Buffer.



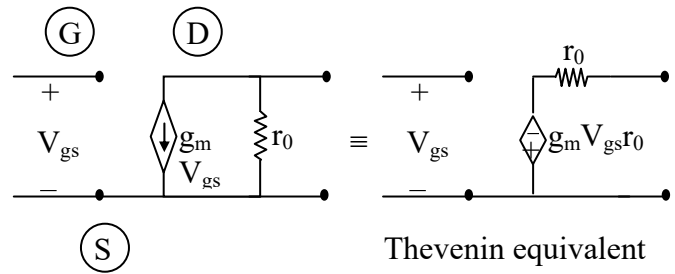
Overall transconductance

$$g_m = \frac{i_d}{V_{gs}} = \left[ \frac{\partial i_D}{\partial V_{GS}} \right] = \frac{i_{d1}}{V_{gs1}}$$

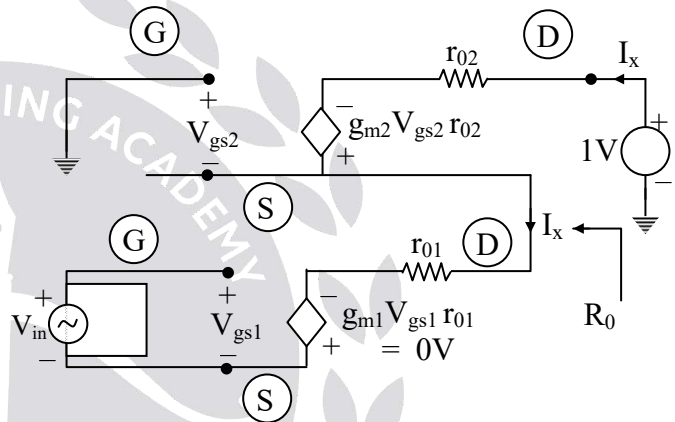
$$= g_{m1}$$

The overall (approximate) transconductance of the cascode amplifier is equal to the transconductance of common source amplifier  $g_{m1}$

**AC model of MOSFET**



Let us find the output resistance  $R_0 = \frac{1V}{I_x}$



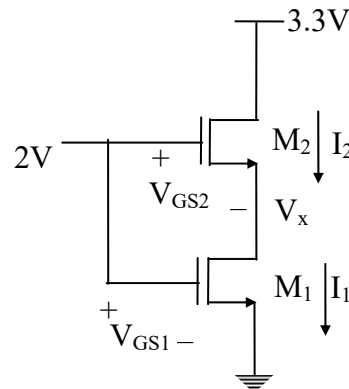
By KVL  $V_{gs2} + I_x r_{01} = 0$   
 $V_{gs2} = -I_x r_{01} \dots\dots(1)$

By KVL  
 $-1 + I_x r_{02} - g_{m2} r_{02} V_{gs2} + I_x r_{01} = 0$   
 $-1 + I_x r_{02} + g_{m2} r_{02} I_x r_{01} + I_x r_{01} = 0$

$$\therefore I_x = \frac{1}{r_{01} + r_{02} + g_{m2} r_{02} r_{01}} \approx \frac{1}{g_{m2} r_{01} r_{02}}$$

$$R_0 = \frac{1}{I_x} = g_{m2} r_{01} r_{02}$$

**61. Sol:**



$$\left(\frac{W}{L}\right)_2 = 2\left(\frac{W}{L}\right)_1$$

$V_{TH} = 1V$  for both  $M_1$  and  $M_2$

For  $M_2$  to be in saturation:

$$V_D > V_G - V_{TH}$$

$$3.3 > 2 - 1$$

$$3.3 > 1$$

So  $M_2$  will be in saturation if it is ON.

For  $M_1$  to be in saturation:

$$V_D > V_G - V_{TH}$$

$$V_X > 2 - 1$$

$V_X > 1V$  but if  $V_X$  is more than  $1V$ ,  $V_{GS2}$  becomes less than  $1V$ , Which means  $M_2$  will be off so  $M_1$  can not be in saturation.

Now, We can conclude that  $M_1$  is in triode and  $M_2$  is in saturation

$$V_{GS1} = 2V$$

$$V_{DS1} = V_X$$

$$V_{GS2} = 2 - V_X$$

Now,  $I_1 = I_2$

$$\begin{aligned} \mu_n C_{ox} \left(\frac{W}{L}\right)_1 \left[ (V_{GS1} - V_{TH}) V_{DS1} - \frac{1}{2} V_{DS1}^2 \right] \\ = \frac{1}{2} \mu_n C_{ox} \left(\frac{W}{L}\right)_2 (V_{GS2} - V_{TH})^2 \end{aligned}$$

$$V_X - \frac{1}{2} V_X^2 = (1 - V_X)^2$$

$$3V_X^2 - 6V_X + 2 = 0$$

$$V_X = 0.42V, -1.58V$$

$V_X$  cannot be more than  $1V$ , since  $M_2$  will become off

$$\text{So, } V_X = 0.42V$$

**62. Ans: (a, b, d)**

**Sol:** The given device is

- N-channel MOSFET with  $V_T = 2.5V$

- Current due to only  $\bar{e}s$  and E-MOSFET does not have physical channel.

**63. Ans: (a & c)**

